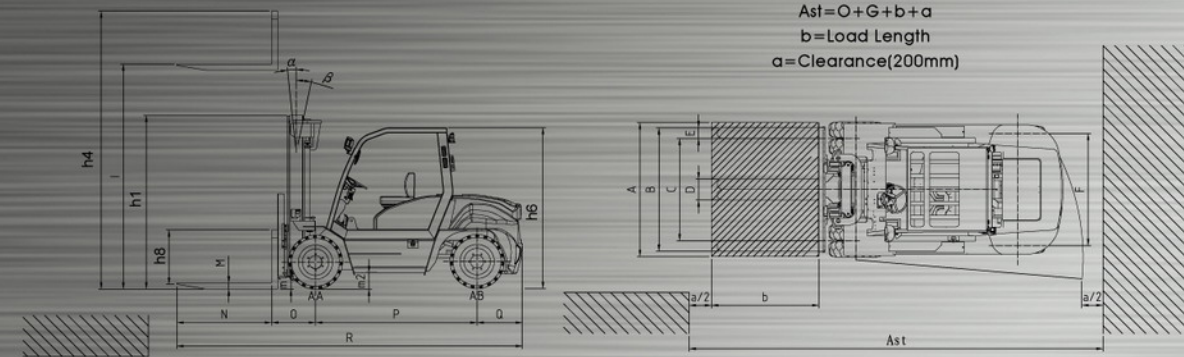


Stable double front wheel



Wide angle rear-view mirror



EQUIPMENT AND ACCESSORIES

Manufacturer		TAILIFT	TAILIFT	TAILIFT	TAILIFT	TAILIFT	TAILIFT		
Model		FD60	FD70	FD80	FD100	FG60	FG70		
Capacity		Kg	6000	7000	8000	10000	6000	7000	
Load center		mm	600	600	600	600	600	600	
Power type			Diesel	Diesel	Diesel	Diesel	Gasoline	Gasoline	
Tires	S=Solid P=Pneumatic	front/rear	Pneumatic	Pneumatic	Pneumatic	Pneumatic	Pneumatic	Pneumatic	
Total width	A	mm	2010	2010	2060	2170	2010	2010	
Height mast lowered	h1	mm	2500	2625	2700	2850	2500	2625	
Overhead guard height	h4	mm	2450	2450	2520	2540	2450	2450	
Height mast extended	h6	mm	4420	4420	4420	4420	4420	4420	
Total length	R	mm	4755	4815	5410	5625	4755	4815	
Number (front/rear, X Driven)		4X/2							
Tires	Size	Front	AA	8.25-15-14PR	8.25-15-14PR	8.25-20-14PR	9.00-20-14PR	8.25-15-14PR	8.25-15-14PR
		rear	AB	8.25-15-14PR	8.25-15-14PR	9.00-16-14PR	9.00-20-14PR	8.25-15-14PR	8.25-15-14PR
Model			Perkins1106D	Perkins1106D	Perkins1106D	Perkins1106D	GM 4.3L	GM 4.3L	
Rated Power		kw/rpm	117/2200	117/2200	117/2200	117/2200	122/4000	122/4000	
Rated torque		N.m./rpm	683/1400	683/1400	683/1400	683/1400	2500	2500	
Number of cylinders/Displacement		L	6 / 6.6	6 / 6.6	6 / 6.6	6 / 6.6	6/4300	6/4300	
Type		HYDRAULIC							
Speed rank of transmission rear/front		2 / 2							

OKAMURA TRANSMISSION

OKAMURA transmission is a new multiple section type of torque converter (2 section of torque transforming functions) developed especially for forklifts and other types of industrial vehicles. By reversing the direction of the stator to double the torque, they could automatically realize, on first gear, running performance of at least 2nd gear equivalent.

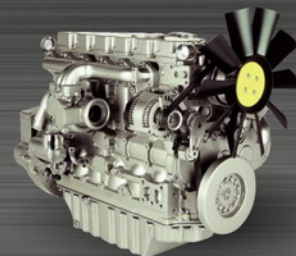


PERKINS 1106D ENGINE

Perkins 1106D six-cylinder engine, horsepower to 117kW, is comparatively 30% higher horsepower than other brands. Adopting the most current high-pressure common rail fuel system, multiple injection, and oil injecting pressure 23000psi, higher efficiency than previous generation engines. Adhere to EU stage III and US EPA Tier III environment exhaust standard, feature with low noise engine, noise improvement reaching 3-5(dpa), low fuel consumption. Uses the ECU electronic control system, completely digital, engine self-diagnosis and protection function.

Advantage:

1. Realizes smooth driving without requiring shifting.
2. The torque ratio increases greatly.
3. Simplifies speed shift elements to improve cost performance and ensure higher durability.



1106D	
Horsepower	117kW@2200 rpm
Max torque	683NM@1400 rpm
Displacement	6.6 Litres
Fuel system	HEUI (Common Rail)
Speed adjustment system	ECM
Certificate	EU Tier III US EPA TIER III



TAI PIIN INDUSTRIAL CO.,LTD.

No. 269, Sec 1, Shein Lin Rd., Taichung, Taiwan. (R.O.C.) TEL:+886-4-25666100 FAX:+886-4-25671670
 Website: <http://www.artison.com.tw> E-mail: insales@artison.com.tw

DOC. S/N:DEB033 EDITION:01

6.0-10ton

I.C FORKLIFT TRUCKS



HEAVY DUTY MACHINES



Mast Lock System (optional)

The mast lock system automatically locks all lifting and tilting functions when the operator leaves the seat. It is to prevent operator from using the hydraulic functions and driving forklift truck when operator does not seat in proper position.



PERFECT PERFORMANCE

With over 30 years of manufacturing experience in forklift trucks, Tailift is proud to introduced 6-10 tons capacities of forklift trucks. Allowing our clients the flexibilities to choosing the most appropriate product out of our range to fit with its operating environment.



Durable Hydraulic steering system

Light steering, flexible operation, small turning radius



Tiltable Steering Column

The steering column can be adjusted and to provide the preferred operating position.



Joystick (optional)

The lifting and tilt function switch integrated in the joystick (optional) enables a quick direction and operation. This guarantees fast maneuverable operation.



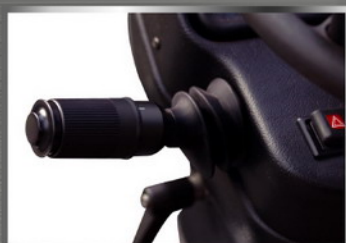
Electronic accelerator pedal

Offering controllable engine speed and quick respond is to shorten timing of accelerating. Subvert normal cable pedal by electric pedal. Improve accelerator response speed.



Wide visual overhead guard

Driver gets a best visibility when operates lifting mast upward while watching the mast action.



Electric F/R control lever

The forward/reverse lever offer easy accessible fingertip control. It is easy to reach and also for fast and easy directional changes. Using the electric solenoid to control F/R is also improved flexibility of operation.

Deluxe Suspension seat (optional)

Choosing chair is suspension Grammar seat to provide more tilting and parallel adjusting positions to the driver. The weight adjustment is to enhance the suspension system bringing the best driving environment to driver.

Easy Entry and Exit

Low height from floor and secure non-slip steel step provides the operator easy step in and out of the forklift.

